

LiquiDrainer®
Emptying of filled beverage
containers



Automatic. Quick. Profitable.

LiquiDrainer®

The Strautmann LiquiDrainer® empties beverage cans, PET bottles and beverage carton. With a special rotor technique the material is emptied and devalued. That way money and time are saved. The pre-compacted material can be compacted with briquetting- or baling presses.



1 Feeding

Manual or automatic feeding of the machine.



3 Rotor & Pendulum plate

No bridging of the material due to the pendulum plate.



2 Functional principle

The filled bundles are perforated and squeezed out by one slowly turning rotor.



4 Output

Emptied material is pushed out by the material that follows.

Secure devaluation.

Flexible useable.



5 Funnel

The funnel is used as a collecting hopper for large quantities of material.



7 Separation of liquids

Removement of liquids through a coarse filter box.



6 Conveyor

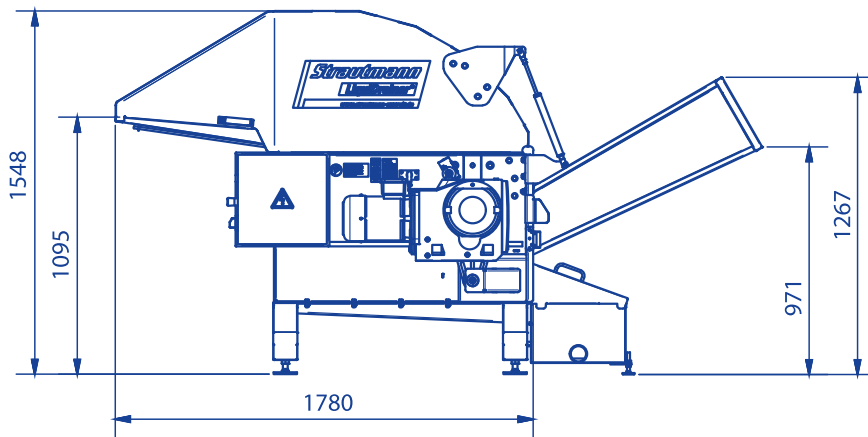
Filled liquid containers are conveyed automatically from the funnel via the conveyer to the machine.



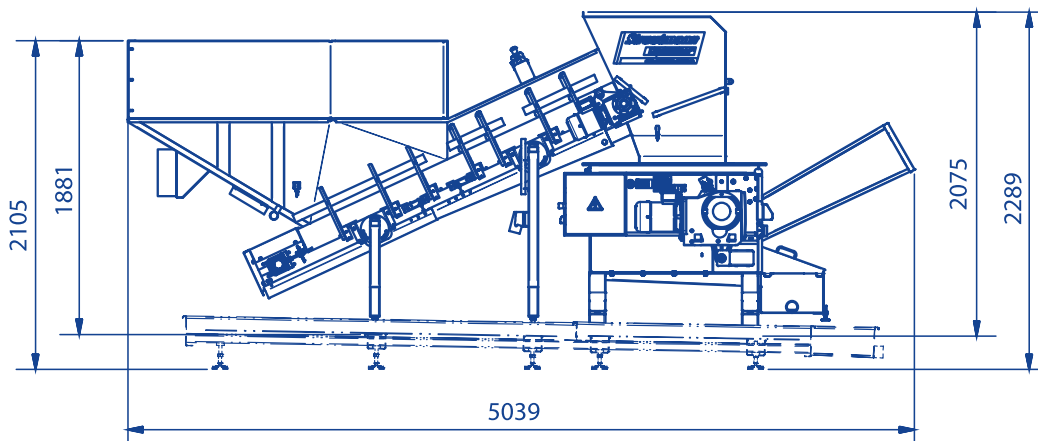
8 The result

The material has been emptied and pre-compacted.

LiquiDrainer® – Manual filling



LiquiDrainer® – Filling by conveyor belt



Strautmann Umwelttechnik GmbH
Auf dem Haarkamp 22, 49219 Glandorf



info@strautmann-umwelt.com



+49 (0) 5426 80777-0



www.strautmann-umwelt.com